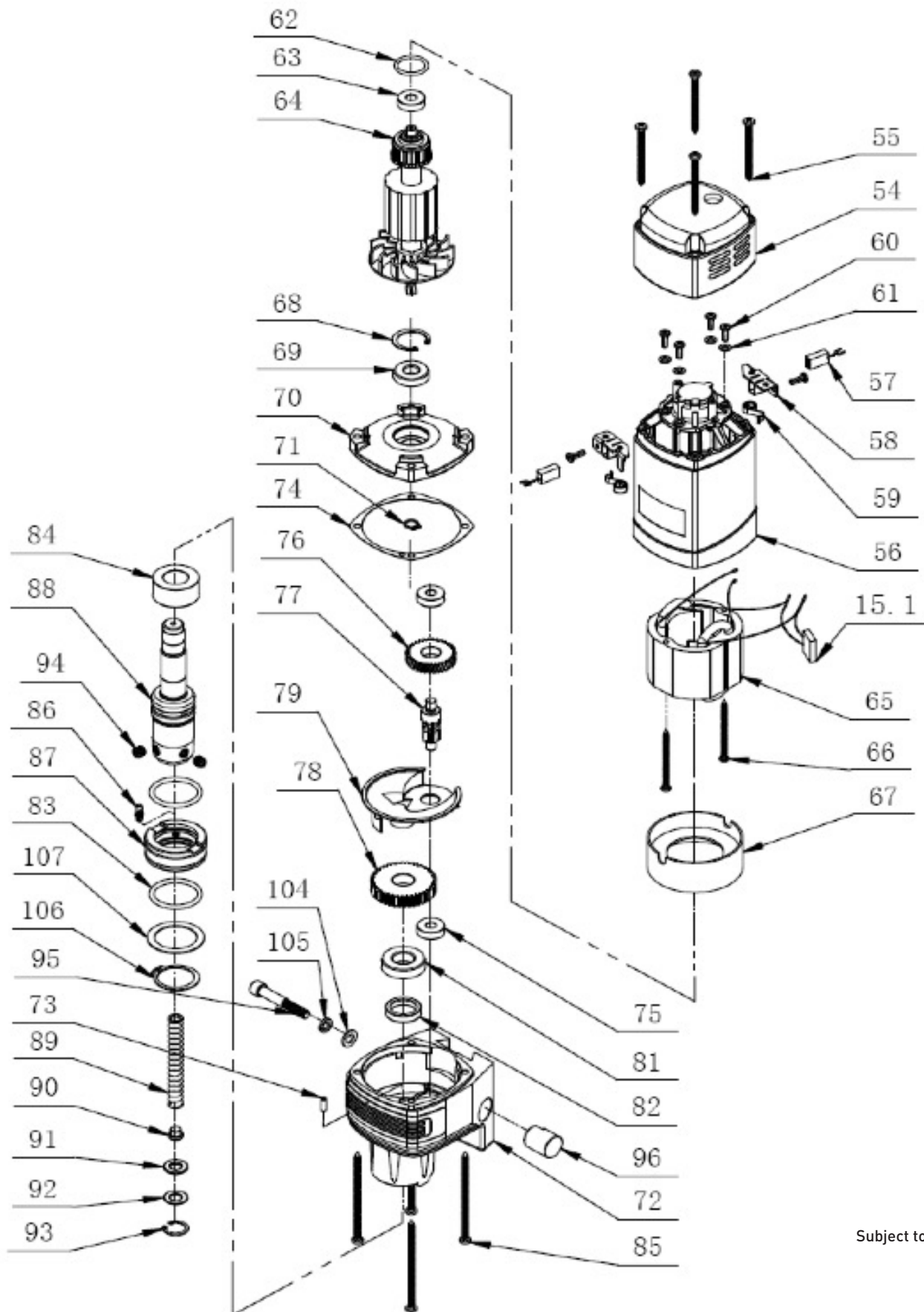


SPARE PARTS LIST MOTOR FOR KARNASCH
MAGNETIC HOLE CUTTING MACHINES

ART.: 20 8013 TYPE KA35 - 230 VOLT /
ART.: 21 8013 TYPE KA35 - 110 VOLT



ART.: 20 8013 TYPE KA35 - 230 VOLT /
 ART.: 21 8013 TYPE KA35 - 110 VOLT



Subject to change

ART.: 20 8013 TYPE KA35 - 230 VOLT /
 ART.: 21 8013 TYPE KA35 - 110 VOLT

no	description	pcs	size
15.1	Electronic Components * fuse	1	275V 0.1uf
54	Motor cap	1	KA35
55	Screws	4	ST4.8×50
56	Motor shell	1	KA35
57	Carbon brushes (Note: Wearing parts)	2	18×6.2×9.9
58	Carbon brush holder	2	18×6.2×9.9
59	Flat spiral springs	2	5×0.3
60	Screws	6	M4×12
61	Elastic washers	4	M4
62	O-ring (Note: Wearing parts)	1	Ø22 (ID) ×2.5
63	Deep groove ball bearings	1	608ZZ
64	Armature	1	1100W 230V
65	Field coil	1	1100W 230V
66	Screw	2	ST3.9×62
67	Wind gathering sleeve	1	Ø75.5×Ø45×30
68	Hole circlip	1	Ø28
69	Deep groove ball bearing	1	6001-2RS
70	Gear box cover	1	KA35
71	Shaft circlip	1	Ø10
72	Gear box	1	KA35
73	Cylindrical pin	1	Ø4×12
74	Paper gasket seal	1	Ø78×0.5
75	Deep groove ball bearings	2	608
76	Helical gear	1	Z34m1h8
77	Gear shaft	1	Z8m1.25L45
78	Straight gear	1	Z40m1.25h10
79	Oil guide	1	Ø78×22.6
81	Deep groove ball bearings	1	6003
82	Skeleton ring	1	Ø20×Ø28×4
83	O-rings (Note: Wearing parts)	2	Ø34.5 (ID) ×3.55
84	Deep groove ball bearings	1	6904
85	Screws	4	ST4.8×90
86	Brass nozzle	1	M6×16
87	Cooling ring	1	Ø49×20
88	Output shaft	1	Ø34.5×Ø19.05×136

no	description	pcs	size
89	Ejection spring	1	Ø11.5×Ø1.2×107
90	Bulkhead	1	Ø11.5×8
91	Rubber washer	1	Ø13×19×4
92	Spacer	1	Ø18.7×9.4×2
93	Hole circlip	1	Ø19×1
94	Hexagon socket set screws (12.9 grade)	2	M8×8
95	Hexagon socket head cap screw	1	M8×50
96	Clamping block	1	Ø20×24
104	Gasket	1	M8
105	Spring washer	1	M8
106	Circlip for shaft	1	Ø34
107	Flat washer	1	Ø33.5×Ø45×1

KARNASCH PROFESSIONAL TOOLS®

CNC TOOLS DIVISION

Siemensstraße 1
D-68542 Heddeshheim

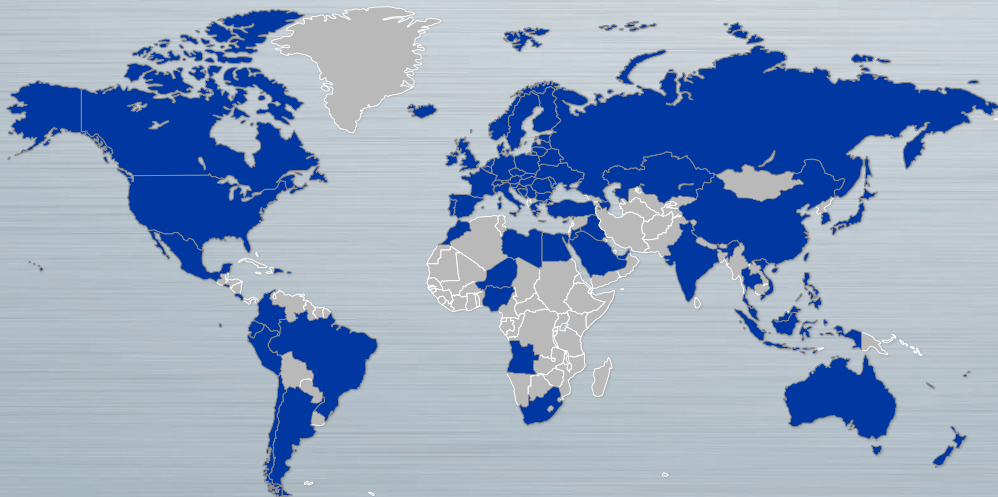
KARNASCH PROFESSIONAL TOOLS®

INDUSTRIAL TOOLS DIVISION

Straße des Friedens 10
D-15848 Tauche / OT Görzdorf

CONTACT

Phone: +49 (0) 6203 4039-0
Fax: +49 (0) 6203 41590
E-Mail: info@karnasch.tools



KARNASCH WORLDWIDE

EUROPE AUSTRIA · BELGIUM · BOSNIA HERZEGOVINA · BRITISH VIRGIN ISLANDS · BULGARIA · CROATIA · CYPRUS · CZECH REPUBLIC · DENMARK · ESTONIA · FAROE ISLANDS · FINLAND · FRANCE · GEORGIA · GERMANY · GREECE · HUNGARY · ICELAND · IRELAND · ITALY · KOSOVO · LATVIA · LITHUANIA · LUXEMBOURG · MALTA · MOLDOVA · MONACO · MONTENEGRO · NETHERLANDS · NORWAY · POLAND · PORTUGAL · REPUBLIC OF MOLDOVA · REPUBLIC OF MACEDONIA · ROMANIA · RUSSIA · SAN MARINO · SLOVAKIA · SLOVENIA · SPAIN · SWEDEN · SWITZERLAND · TURKEY · UKRAINE · UNITED KINGDOM · WHITE RUSSIA/BELARUS · **AFRICA** ANGOLA · EGYPT · EQUATORIAL GUINEA · LYBIA · MOROCCO · NIGERIA · REPUBLIC OF MAURITIUS · SAUDI ARABIA · SOUTH AFRICA · UAE/UNITED ARAB EMIRATES · **ASIA** ARMENIA · AZERBAIJAN · CHINA · SOUTH KOREA · GEORGIA · HONG KONG · INDIA · INDONESIA · ISRAEL · JAPAN · JORDAN · KAZAKHSTAN · KUWAIT · LEBANON · MALAYSIA · PHILIPPINES · QATAR · SINGAPORE · TAIWAN · THAILAND · TUNESIEN REPUBLIC · VIETNAM · **SOUTH AMERICA** ARGENTINIA · BRAZIL · CHILE · COLOMBIA · EQUADOR · PERU · **AMERICA** AMERICAN SAMOA · CANADA · USA · **MIDDLE AMERICA** COSTA RICA · EL SALVADOR · MEXICO · **AUSTRALIA** · **OCEANIA** CALEDONIA · NEW ZEALAND