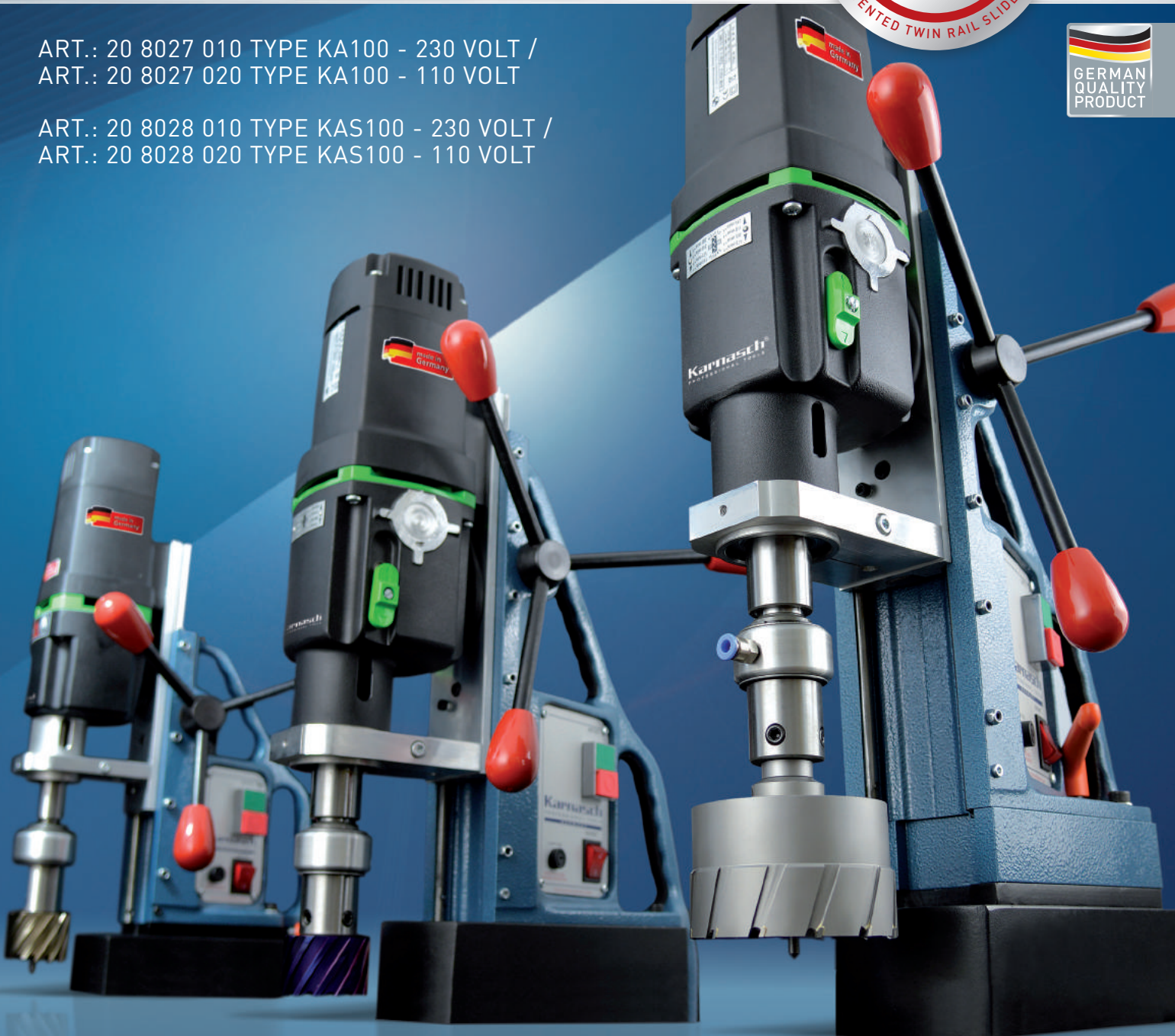


**SPARE PARTS LIST MOTOR FOR KARNASCH
MAGNETIC HOLE CUTTING MACHINES**



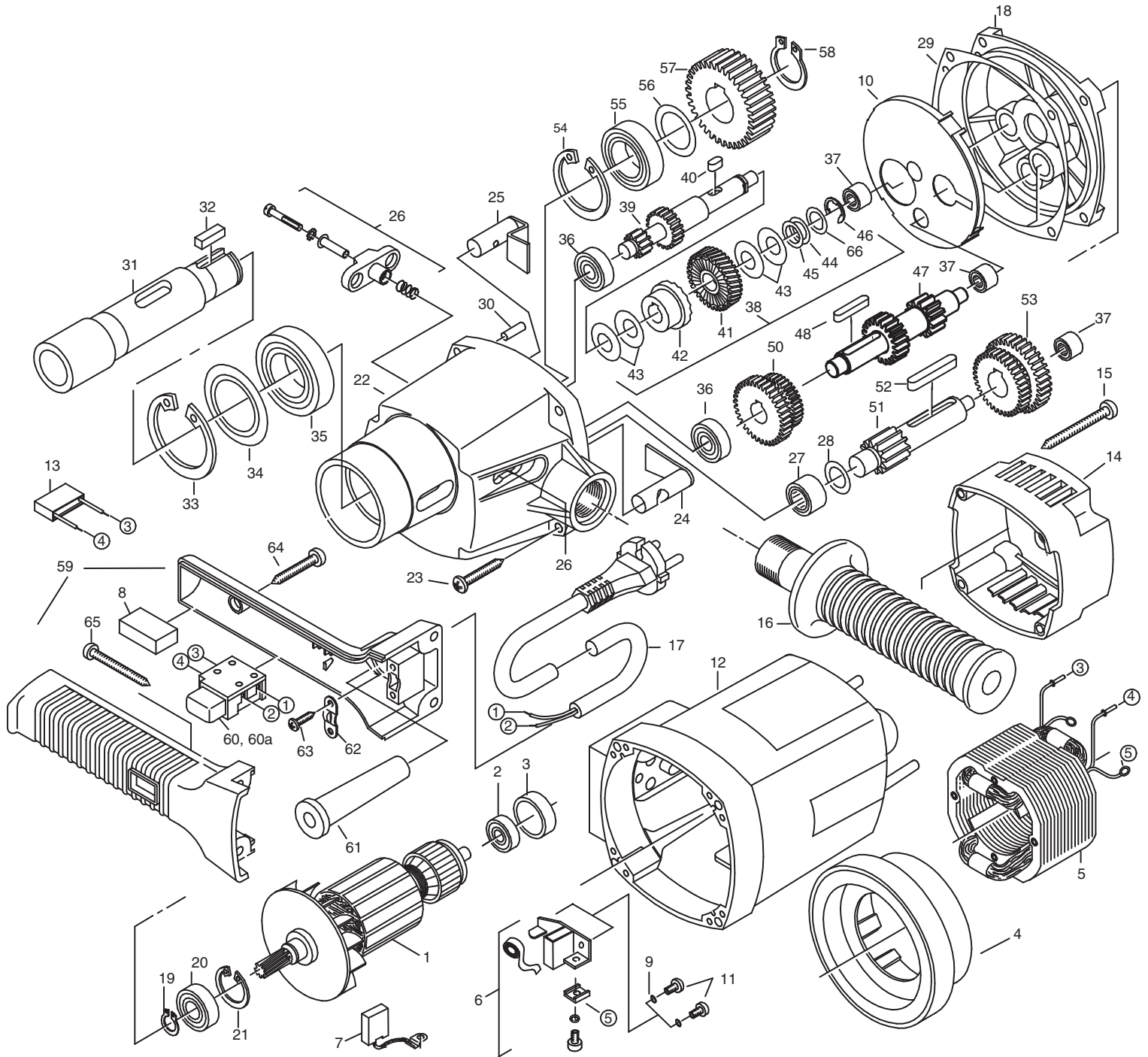
ART.: 20 8027 010 TYPE KA100 - 230 VOLT /
ART.: 20 8027 020 TYPE KA100 - 110 VOLT

ART.: 20 8028 010 TYPE KAS100 - 230 VOLT /
ART.: 20 8028 020 TYPE KAS100 - 110 VOLT



ART.: 20 8027 010 TYPE KA100 - 230 VOLT / ART.: 20 8027 020 TYPE KA100 - 110 VOLT

ART.: 20 8028 010 TYPE KAS100 - 230 VOLT / ART.: 20 8028 020 TYPE KAS100 - 110 VOLT



Subject to change

ART.: 20 8027 010 TYPE KA100 - 230 VOLT / ART.: 20 8027 020 TYPE KA100 - 110 VOLT
 ART.: 20 8028 010 TYPE KAS100 - 230 VOLT / ART.: 20 8028 020 TYPE KAS100 - 110 VOLT

EHB 32/4.2 EHB 32/4.2 S - 230 V

no	description	part no	pcs
1	rotor complete	7154A100	1
2	grooved ball bearing 6000 2Z	80410021	1
3	bearing cap	83000031	1
4	air guiding ring	71540144	1
5	stator complete	7154A150	1
6	brush holder complete	80800150	2
7	carbon brush	80700019	2
8	spacer	80600306	1
9	corrugated spring washer B4	80201385	4
10	grease compartment barrier	80900110	1
11	self tapping screw ZM4x12	80201180	4
12	motor housing	80900042	1
13	anti parasit condenser	80500010	1
14	cap for motor housing	80900082	1
15	self tapping screw HC 4,8x45	80201267	4
16	tube handle compl.	7154C590	1
17	connecting cable 2x1mm ²	80600060	1
18	end shield of gearing	7154C610	1
19	locking ring 11/1	80201320	1
20	grooved ball bearing 6001 2Z	80410031	1
21	locking ring 28/1,2	80201333	1
22	gearbox housing	7154C400	1
23	self tapping screw HC 5,5x38	80201292	4
24	coupling bolt complete 2	71540530	1
25	coupling bolt complete 1	71540520	1
26	gear changer complete	7154A545	2
27	needle bearing RNA 4900	80420001	1
28	disc for needle bearing	71540517	1
29	gearbox seal	82000509	1
30	notched pin plug 5x16	80200580	1
31	work spindle	74527420	1
32	fitting key B6x6x20	80200606	1
33	locking ring 55/2	80201338	1
34	washer for ball bearing	71540426	1
35	grooved ball bearing 6006 2RS	80410071	1
36	grooved ball bearing 6000	80410020	2
37	needle sleeve HK 0810	80420110	3
38	coupling complete	7154A493	1
39	intermediate shaft 1	71540490	1
40	locking spring 5x5x10	80200600	1
41	coupling wheel	7752A550	1
42	coupling half	71540560	1
43	spring washer 28/12,2x1	80200713	4

no	description	part no	pcs
44	pressure washer 1	71540607	1
45	locking washer 12/18x0,2	80200503	1
46	lock washer 9	80201361	1
47	intermediate shaft 2	71540500	1
48	locking spring A5x5x28	80200602	1
49	gear block 1	71540440	1
50	intermediate shaft 3	71540510	1
51	locking spring A6x6x40	80200608	1
52	gear block 2	71540450	1
53	locking ring 47/1,75	80201336	1
54	grooved ball bearing 6005 2RS	80410061	1
55	locking washer 25x0,1	80200512	1
56	spindle wheel	71540430	1
57	locking ring 24/1,2	80201326	1
58	pair of handle halves	80900010	1
59	flush mounting switch	80600102	1
60	soft start switch "S"	80600111	1
60a	cable grommet	83000004	1
61	wire locking flange	85000020	1
62	self tapping screw HC 4,2x16	80201271	2
63	self tapping screw HC 5,5x32	80201291	1
64	self tapping screw HF 5,5x25	80201290	4
65	pressure washer 2	71540606	1

EHB 32/4.2 - 110 V

no	description	part no	pcs
1	rotor complete	7154D100	1
5	stator complete	7154D150	1
17	connecting cable 2x1mm ²	80600060	1
60	flush mounting switch	80600102	1



RoHS Certificate of Compliance

This document certifies that the part numbers listed in this document and manufactured by **Karnasch Professional Tools** do not to the knowledge of the certifier contain the substances listed in the table below in concentrations exceeding the Maximum Control Value (MCV), and will be compliant as of the date listed.

Substance	Maximum Control Value
Lead	0,1 % by weight (1000 ppm) (1)
Mercury	0,1 % by weight (1000 ppm)
Cadmium	0,01 % by weight (100 ppm) (1)
Hexavalent Chromium	0,1 % by weight (1000 ppm)
Polybrominated Biphenyls (PBB)	0,1 % by weight (1000 ppm)
Polybrominated Diphenyl Ethers (PBDE)	0,1 % by weight (1000 ppm)
(1) The MCV does not apply to applications for which exemptions have been granted to the RoHS Directive.	

Products containing the substances listed in the table above, in concentrations below the MCV, are understood to be in compliance with Directive 2011/65/EU of the European Parliament and of the Council of 8 June 2011 on the restriction of the use of certain hazardous substances in electrical and electronics equipment (RoHS Directive) in accordance with the definitions set forth in the directives.

A list of Karnasch Professional Tools supplied products and the associated RoHS status is given in appendix 1.

Date of Issue: 03. February 16

Place of Issue: KARNASCH PROFESSIONAL TOOLS, Industrial Tools Division, Görsdorf

Signature:

Name: Michael Karnasch

A handwritten signature in blue ink, appearing to read 'Michael Karnasch', is written over a horizontal line.

Karnasch®



PROFESSIONAL TOOLS

Part Number	RoHS Compliant (y/n)	Compliant Since	Planned Start of Production of RoHS compatible components
KA40/KAS40	y	Start of Production	Available now
KA50/KAS50	y	Start of Production	Available now
KATV55/KATSV55	y	Start of Production	Available now
KA100/KAS100	y	Start of Production	Available now
KATV100/KATSV100	y	Start of Production	Available now
KALP45	y	Start of Production	Available now
KATV140	y	Start of Production	Available now

Karnasch®

PROFESSIONAL TOOLS

EC declaration of conformity

Name/address of the producer:	Karnasch Professional Tools™ Industrial Tools Division Straße des Friedens 10 D – 15848 Tauche / OT Görzdorf
We confirm that the product	
Product:	Magnetic hole cutting machines
Typ:	Hole cutting machine 230/110 volts: KA40; KA100; KAS40; KA50; KAS50; KATV55; KATV100; KAS100; KATSV55; KASTV100; KALP45; KATV140
complies with the following relevant conditions:	
<ul style="list-style-type: none"> ▪ EC-directive 2006/42/EG about machines ▪ EC-directive 2004/108/EG about electromagnetic compatibility 	
Following harmonized norms where used in whole or in part:	
<ul style="list-style-type: none"> • DIN EN 61000-6-4:2007 + A1:2011 • DIN EN 55014-1:2006 + A1:2009 + A2:2011 • DIN EN 55014-2:1997 + Corr. 1997 + A1:2001 + A2:2008 • DIN EN 60745-1:2009 • DIN EN 60745-2-1:2010 	
Responsible person for the documentation to EC-directive 2006/42/EG is:	
 <hr/> Cindy Burchardt, clerk	
Görzdorf, 11.01.2016	 <hr/> Michael Karnasch, CEO

Karnasch Professional Tools GmbH
Industrial Tools Division
Straße des Friedens 10 · 15848 Görzdorf
Tel. +49(0)33675 7265-0 · Fax +49(0)33675 7101
e-mail: mail@karnasch.tools
www.karnasch.tools



KARNASCH PROFESSIONAL TOOLS®

CNC TOOLS DIVISION

Siemensstraße 1
D-68542 Heddeshheim

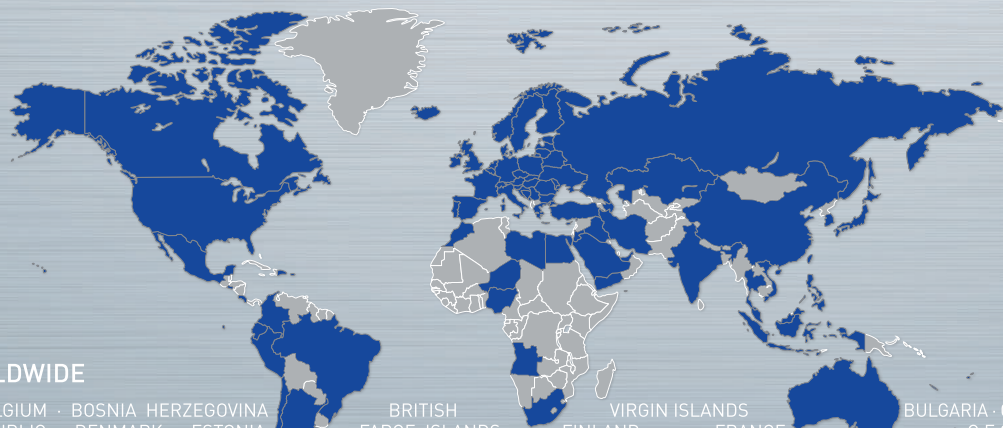
KARNASCH PROFESSIONAL TOOLS®

INDUSTRIAL TOOLS DIVISION

Straße des Friedens 10
D-15848 Tauche / OT Görzsdorf

CONTACT

Phone: +49 (0) 6203 4039-0
Fax: +49 (0) 6203 41590
E-Mail: info@karnasch.tools



KARNASCH WORLDWIDE

EUROPE AUSTRIA · BELGIUM · BOSNIA HERZEGOVINA · BRITISH VIRGIN ISLANDS · BULGARIA · CROATIA
CYPRUS · CZECH REPUBLIC · DENMARK · ESTONIA · FAROE ISLANDS · FINLAND · FRANCE · GEORGIA
GERMANY · GREECE · HUNGARY · ICELAND · IRELAND · ITALY · KOSOVO · LATVIA · LITHUANIA · LUXEMBOURG · MALTA · MOLDOVA
MONACO · MONTENEGRO · NETHERLANDS · NORWAY · POLAND · PORTUGAL · REPUBLIC OF MOLDOVA · REPUBLIC OF MACEDONIA · ROMANIA
RUSSIA · SAN MARINO · SLOVAKIA · SLOVENIA · SPAIN · SWEDEN · SWITZERLAND · TURKEY · UKRAINE · UNITED KINGDOM · WHITE RUSSIA/BELARUS
AFRICA ANGOLA · EGYPT · EQUATORIAL GUINEA · LYBIA · MOROCCO · NIGERIA · REPUBLIC OF MAURITIUS · SAUDIA ARABIA · SOUTH AFRICA
ASIA ARMENIA · AZERBAIJAN · CHINA · DEMOCRATIC PEOPLE'S REPUBLIC OF KOREA · GEORGIA · HONG KONG · INDIA
INDONESIA · IRAN · ISRAEL · JAPAN · JORDAN · KAZAKHSTAN · KUWAIT · LEBANON · MALAYSIA · PHILIPPINES · QATAR · UAE/UNITED ARAB EMIRATES
SINGAPORE · SYRIA · TAIWAN · THAILAND · TUNESJEN REPUBLIC · VIETNAM · YEMEN · **SOUTH AMERICA** ARGENTINIA · BRAZIL · CHILE · COLOMBIA
EQUADOR · PERU · REPUBLIC OF VENEZUELA · **AMERICA** AMERICAN SAMOA · CANADA · USA · **MIDDLE AMERICA** COSTA RICA · EL SALVADOR · MEXICO
AUSTRALIA · OCEANIA CALEDONIA · NEW ZEALAND